

CM/DM SEPERATOR

EM5016



Shenzhen Zhiyong Electronics Co., Ltd

Preface

First of all, thank you for purchasing our products, this instruction manual is the description about the function, usage, operation attention points, etc. Before use, please read the instructions carefully and use correctly.

Manual annotation will use the following symbols to distinguish.



This symbol means it is harmful to the machine and human body; you must strictly follow the instruction manual to operate.

Notice

In the case of wrong operation, the user risk injury. The content under this mark records the relevant matters needing attention to avoid such dangers.

Warning

The user may suffer minor injuries and material damage with the wrong operation. To avoid such situation, the matters under this mark need attention.

Note

This symbolizes important note about how to use the machine.

To safely use the device:

Please strictly follow the safety tips below. If you don't follow the instruction, the potential consequences could damage the machine or hurt the users. We will not be responsible for any problem caused by violating the rules.



- ◆ **Must make sure the product is used in the rating voltage/ current range.**
- ◆ **Do not open the case or try to connect lines during operation.**
- ◆ **Do not use the device under humid condition or environment with explosive danger.**
- ◆ **Please keep the device surface dry and clean before operating.**
- ◆ **If there's anything wrong with the product, please contact us immediately. Do not open the case and try to repair the device to avoid unwanted accident.**

1. Summary

EM5016 CM/DM Separator is a type of device mainly used for the analyzing of the CM/DM interference from the conduct test interference signal. It provide targeted advice to the rectification of the electromagnetic compatibility, especially to the test of EMI filter.

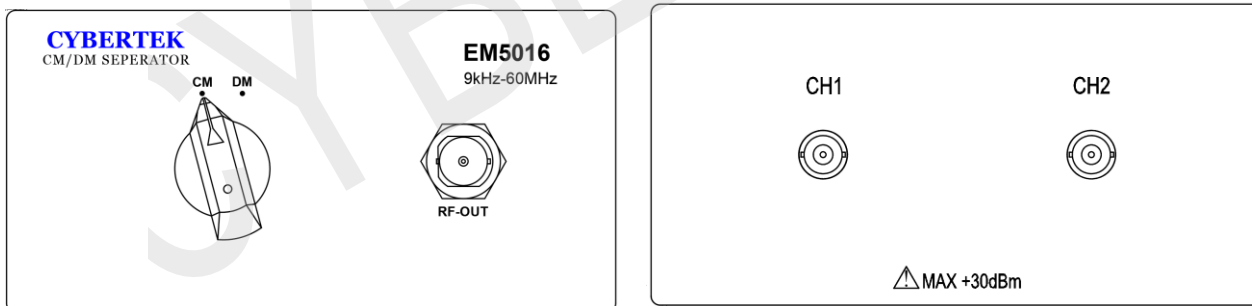
2. Electronics Specification

Frequency bandwidth	9kHz-60MHz
Maximum input power	+30dBm
CM output voltage	$V_{out}=[V_n+V_l]/2 - 10dB$
DM output voltage	$V_{out}=[V_n+(-V_l)]/2 - 10dB$
Operating temperature	0°C-55°C
Storage temperature	-40°C-80°C

3. Application

- ✧ Conduct test rectification
- ✧ EMI Filter parameter design

4. Product Instruction



Attention

- Surpassing the maximum input power of 30dBm continuously could cause permanent damage.
- The input cables of CH1 and CH2 should have the same length and impedance characteristics, or the error could occur.

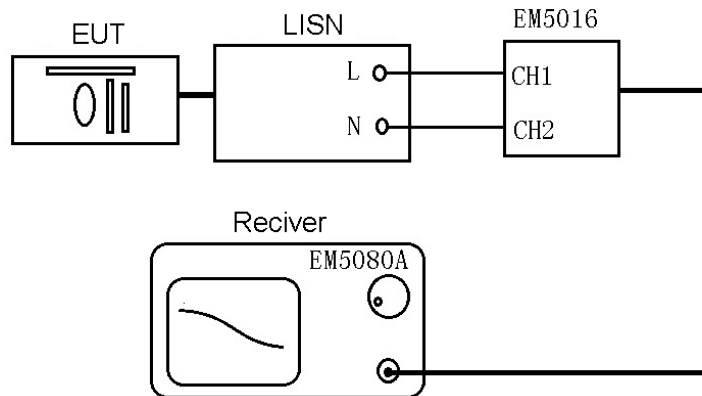
5. Environmental Characteristics

Operating temperature	0 °C to +55°C
Storage temperature	-40 °C to +75°C

6. Machinery Specification

Dimension (L*W*H)	130*111*65mm
Weight	702g

7. Operating Diagram



8. Packing List

Packing List	
Name	Amount
CM/DM separator	1
Instruction manual and warranty card	1
Test report	1

CYBERTEK

SHENZHEN ZHIYONG ELECTRONICS CO., LTD.

Addr: Room A1702, Building 4, TianAn Cyber Park, HuangGe North Road, LongGang District, ShenZhen City, China

Tel: +86-400 852 0005
+86-755-86628000

Q Q: 400 852 0005

Fax: +86-755-86620008

Email: cybertek@cybertek.cn

URL: <http://www.cybertek.cn>

© Zhiyong Electronics, 2018

Published in China, Aug. 1, 2018